



SST INDUSTRIES INC.

US1318

154 Commerce Blvd.
Loveland, OH 45140-6399
Phone: 513-583-4272
Fax: 513-583-4285

DESCRIPTION: 5 gallon (18 liter) square, high density polyethylene, tighthead container

NECK FINISH OPTION: 61, 70mm screw cap/63mm crimp-on

DIMENSIONS:
Height: 14 1/4 "
Width: 10 1/2 "
Length: 11 1/2 "

GALLON CAPACITY: 5 gallons

OVERFLOW CAPACITY: 5.20 gallons

TARE WEIGHT: 2.64 lbs.

STANDARD GRAM WEIGHT: 1200 grams (adjusted upon request)

COLOR OPTIONS: natural (standard) Also available with possible upcharge: white, red, blue, yellow, black, grey (special colors available upon request)

UN NUMBER: 3H1/Y1.8/100/96/USA/+AA0089

FREIGHT CLASSIFICATION: 250

PALLET SIZE: 36 & 48 per pallet (stretch wrapped and banded with fibre board top and bottom tray)

TRUCKLOAD QUANTITIES: 3024 (per 48 ft. trailer)

FEATURES/BENEFITS: 61mm tamper evident

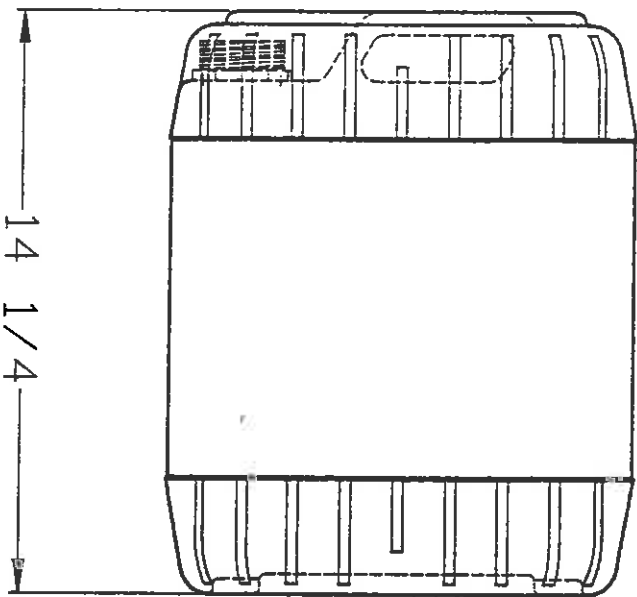
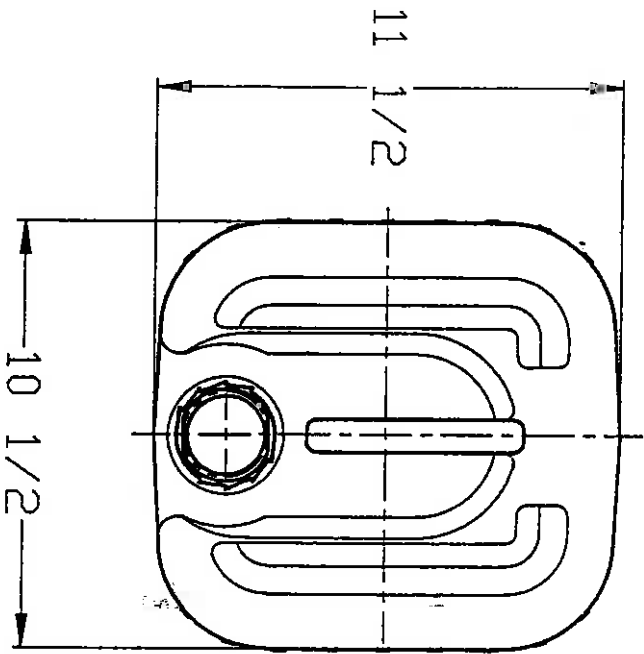
- * UN/DOT approved without the use of outer pack carton
- * FDA approved
- * made from virgin high density polyethylene
- * approved for domestic and international shipments
- * reusable/recycleable/reconditionable
- * utilizes horseshoe design for maximum inner stacking
- * molded in handle
- * perfect for use in todays rack dispensing systems

APPLICATION/TARGET MARKETS: general chemical, janitorial supply, food industry, oil, agricultural, metal plating, water treatment, fragrance, pharmaceutical, flavoring

RECOMMENDED CAP TORQUE: 180 inch - pound

REV. 3/22/96
DWG. 6/13/95

*Outstanding Quality
Made In America*



US1318 - Tight Head Container

03/10/95	Modify Dimensions		SST INDUSTRIES, INC. 154 Commerce Blvd. Loveland, Ohio 45140	
			SCALE: NONE	Drawing: US1318.dwg
			Drawn By: WAM	Date: 06/13/95